

Cost Effectiveness

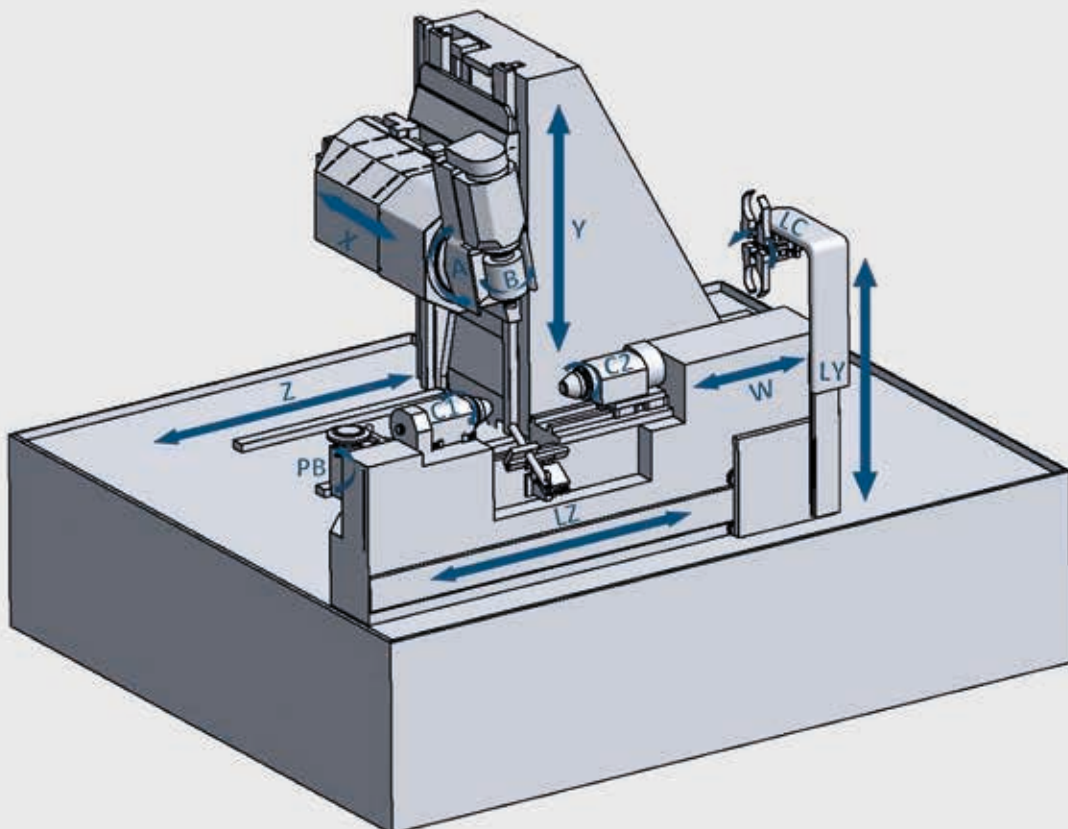
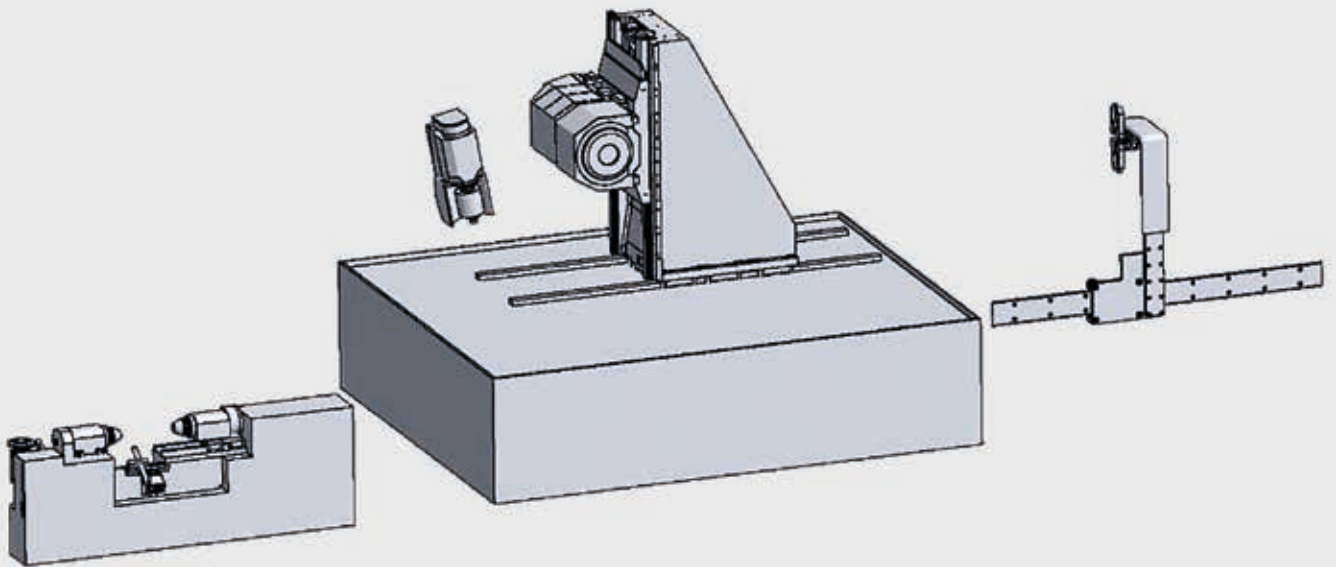
and Innovation

Made in Germany



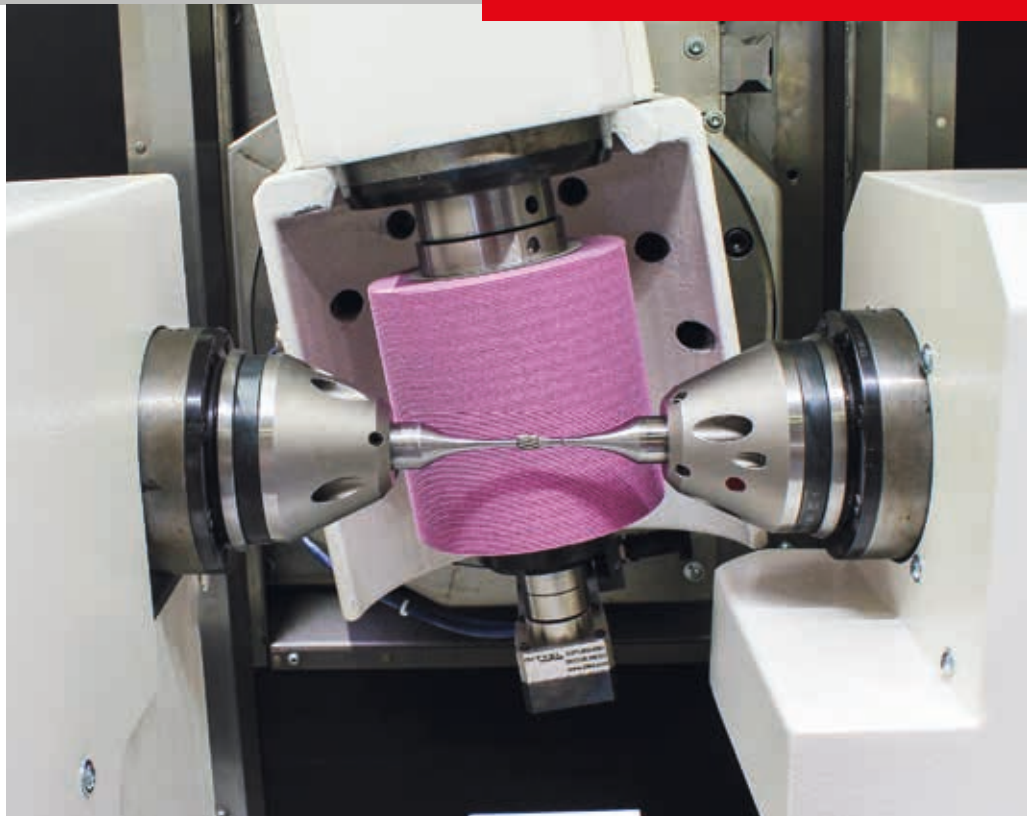
**Gear grinding machine BZ 70 H
for small workpieces**

The Burri machine concept
One platform, many possibilities



BZ 70 H

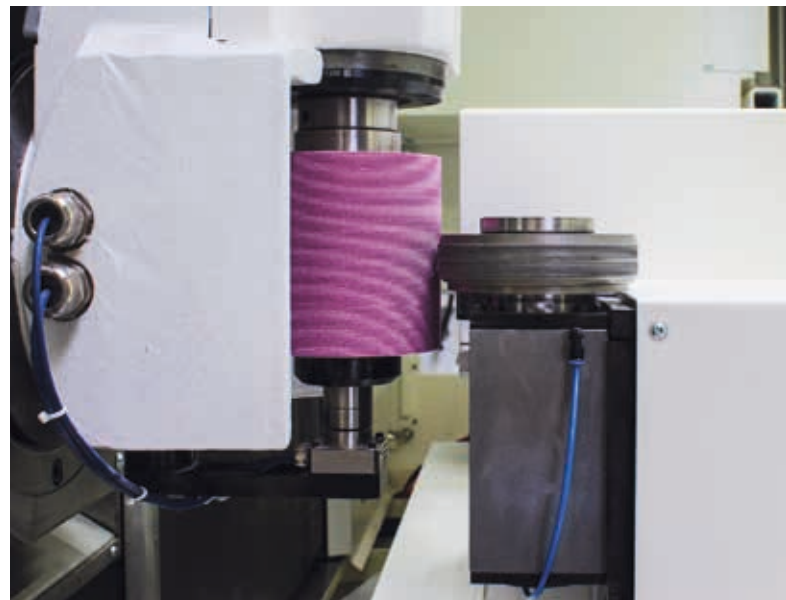
The BZ 70 H gear grinding machine is another innovation of Burri. The machine is designed for very small planet gears and sun gears. Due to the mini grinding worm, very short clamping equipment can be used. The horizontal design allows very fine adjustment of the tailstock center. Two synchronous workpiece spindles eliminate the unstable rotating tailstock centers and guarantee a very effective workpiece driving. The BZ 70 H is the first non-hydraulic gear grinding machine and therefore also the most energy-efficient on the market.



Horizontal design with two synchronous workpiece spindles



Range of parts



Dressing position

Technical data:

Workpiece Ø:	0 – 70 mm
Module:	0,3 – 2,0 mm*
Helix angle:	+35° bis -35°
Workpiece length:	150 mm
Workpiece weight:	max. 0,5 kg
Workpiece speed (max.):	4.000 rpm

Cutting speed (max.):	80 m/sec.
Grinding wheel Ø (max.):	120 mm
Grinding wheel width:	120 mm
Dressing disc Ø:	120 – 140 mm

*it's possible to grind into solid, specially for smaller modules



Our sales network

Burri Sales Europe

Joachim Hildebrandt
Hans-Niemeyer-Straße 25
45133 Essen
Tel.: +49 (0)201 4306 007
Fax: +49 (0)201 4306 008
j.hildebrandt@burri.de

Burri Italy

Euromedia di Enriore Michele
Via del Cantone 7
13020 Breia (VC)
Tel.: +39 335 631 3160
michele.enriore@burri.de

Burri Turkey

D.E.N. Makina Servis
2040/2 sok. Selçuk
3 Giriş 4 Daire 46
Mavişehir/Karşıyaka
35590 İzmir
Werner Riessbeck
Tel.: +90 5368290724
w.riessbeck@gmail.com

Burri America (North)

MTB – Machine Tool Builders, Inc.
7723 Burden Road
Machesney Park, IL 61115
United States of America
Tel.: +1 815 636-7502
Fax: +1 815 636-5912
kflowers@machinetoolbuilders.com

Burri America (South)

MPD Service
Indústria e Comércio de Máquinas
Avenida Roque Gabriel, 1035
Jardim Morumbi III
Brazil
18085-645 Sorocaba - São Paulo
Tel.: +55 (15) 3228-2885
mpdservice@mpdservice.com.br
vendas1@mpdservice.com.br

Burri Russia

EMAG OOO
ul. Akademika Chelomeya 3/2
117630 Moscow
Tel.: +7 495 287 0960
Fax: +7 495 287 0962
iandronov@emag.com
akekhter@emag.com

Burri India Private Limited

H-5, Saket Cooperative Housing Society
Shivthirhnagar
Office Paud Road
Shivthirhnagar
Pune-411038, Maharashtra
Tel.: +91 98 22 77 51 28
kedar.katre@burri.de

Burri China, Taiwan

Corremax International Co., Ltd.
Rm. 4G-09, 4F, No. 5, Sec. 5, Xinyi Rd.
Xinyi Dist.
Taipei City 110
Tel.: +886 2-2345-2929
Fax: +886 2-2345-0606
info@corremax.com.tw
bob.tsai@corremax.com.tw

Burri Korea

Leeron Trading Co., Ltd.
B/1005, Guwoltechnovalley
Seonsuchongongwon-ro 9
Namdong-Ku,
Incheon, 21582
Tel.: +82-32-446-5030
Fax: +82-32-446-5029
leeron93@hanmail.net



Burri Werkzeugmaschinen GmbH & Co. KG

Im Wasen 9 | 78667 Villingendorf
Tel.: +49 (0)741 1748898-0 | Fax: +49 (0)741 1748898-22
E-Mail: info@burri.de | vertrieb@burri.de | www.burri.de